

INSTALLATION GUIDE
ARENA | STUDIO | ORIGINAL | MAX

Step 01

Choose Plungie



Our 8 step process to installing your Plungie

[Click here](#) to access the complete Plungie Install Guide.

Alternatively, you can click on any of the 8 icons below, each representing a specific step in the installation process.

Clicking on an icon will take you directly to the corresponding guide, allowing you to access the information you need quickly and easily.



Choose Plungie



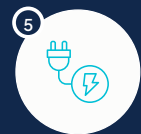
Building Approval



Site Preparation



Crane Hire + Delivery



Electrical + Backfill



Plumb Up



Finishings + Surrounds



Fill + Start Up

This information is offered as a general guide only, and specific advice should always be sought by engaging with an engineer before undertaking any installations specific to your site.

Whilst Plungie Pty Ltd has made every effort to ensure the accuracy and effectiveness of this information, we make no representation as to the accuracy or effectiveness of the information and take no responsibility for any loss, damage or injury which may be caused as a direct or indirect result of the use of this information.



Step 01 Choose Plungie

REQUEST QUOTE

+ Plungie Model

+ ecoFinish Color

+ Equipment

+ Heating/Cooling

+ Spa Jets

+ Construction Cover

+ Waterline Tile Provision

+ Accessory Holder

+ Auto Fill

+ Fire Provision

+ Top Edge ecoFinish

+ Delivery

CONFIRM SALES ORDER

DEPOSIT PAYMENT

A 30% deposit payment is required to secure your order

BALANCE PAYMENT

The balance is due 30 days prior to your dispatch date. We cannot dispatch your pool prior to receiving payment.

The content provided in this guide is part of an 8 step process extracted from the [Plungie Install Guide](#)

This guide is intended to provide you with a brief overview of this step, within our 8 step process. However, it's important to note that this excerpt should be read in conjunction with our more detailed guide and engineering set.

The more detailed guide and engineering set contain critical information that will help ensure a successful installation, and we highly recommend that you refer to them throughout the process.

By doing so, you'll have access to all the necessary information, including installation diagrams, specifications, and step-by-step instructions.

So, let's get started!



This guide is continually updated, please ensure you are accessing it via the link provided to ensure you are viewing the latest copy.

Step 1 Choose Plungie

Plungie Models	7
Interior Coating	8
Inclusions	9
Add-ons & Modifications	9
Equipment	9
Specifications Sheet Arena	10
Specifications Sheet Studio	12
Specifications Sheet Original	14
Specifications Sheet Max	16

GET READY TO...

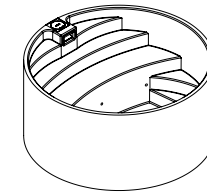
- Request quote
- Confirm sales order
- Deposit payment
- Balance payment



Download Plungie BIM Content

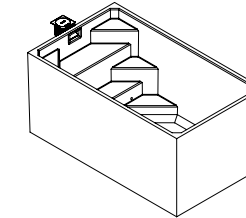
[Click here](#) to download our BIM Content including Autocad, Archicad and Revit to allow you to easily specify Plungie into your next project!

Plungie Arena



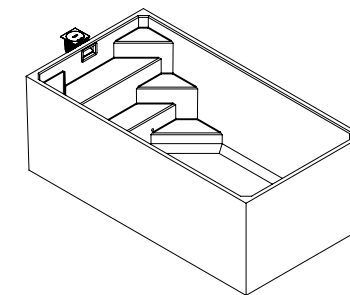
Diameter	External 11' 5"	Internal 10' 10"
Height	External 5' 6½"	Internal 5' 3"
Volume	2,375 gal	
Dry Weight	16,100 lbs	
Bench Space	34 sqft	

Plungie Studio



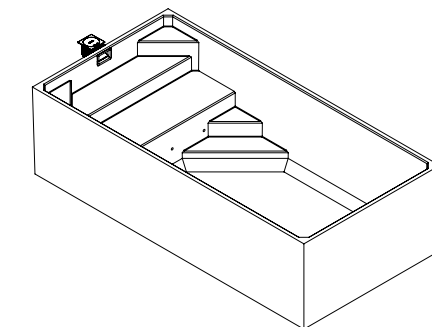
Length	External 12'	Internal 11' 5"
Width	External 7'	Internal 6' 5"
Height	External 5' 6½"	Internal 5' 3"
Volume	2,130 gal	
Dry Weight	14,600 lbs	
Bench Space	18 sqft	

Plungie Original



Length	External 15'	Internal 14' 5"
Width	External 8'	Internal 7' 5"
Height	External 5' 6½"	Internal 5' 3"
Volume	3,280 gal	
Dry Weight	17,500 lbs	
Bench Space	22 sqft	

Plungie Max



Length	External 20'	Internal 19' 5"
Width	External 10'	Internal 9' 5"
Height	External 5' 6½"	Internal 5' 3"
Volume	5,335 gal	
Dry Weight	25,600 lbs	
Bench Space	46 sqft	

Things to consider

Once you know which Plungie is right for you, we will provide you with a quote for the supply and delivery of your Plungie.

At this point, you'll also need to have considered:

DO YOU ALSO NEED AN EQUIPMENT PACKAGE, HEATING, OR A SPA JET SOLUTION?

If so, we can provide an additional quote.

HAVE YOU SEEN OUR FENCING FERRULES?

These can be used for glass balustrades or alternatively doweling into your surrounds. Make sure to request these when placing your order.

WHERE DO YOU WANT YOUR PLUNGIE?

The location of your Plungie, whether it will be in your front yard, back yard, side yard, or even rooftop, will play a leading role in the overall ease and cost of your installation.

DO YOU WANT THE POOL IN-GROUND, ABOVE-GROUND OR SEMI-RECESSED?

The depth of your install also plays a significant role in the overall ease and cost of your site preparation and includes considerations such as excavation, soil removal and backfill.

HOW DO YOU WANT TO FINISH YOUR PROJECT?

This can include coping tiles or a formed concrete solution, as well as finishing touches to your surrounds, such as paving, decking or landscaping.

HAVE YOU CONSIDERED A HIDE SKIM?

Our skimmer box lids come in white but there is the option to purchase a Hide Skim. This solution allows you to replace your factory

Interior Coating

ECOFINISH

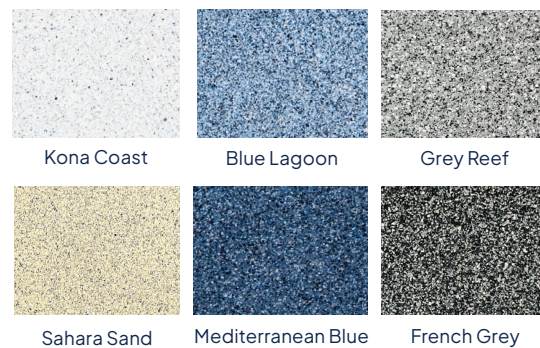
Every Plungie comes with an internal high-performance thermo polymer coating — which is the fancy way of describing ecoFinish.

ecoFinish is a highly engineered form of powder coating that's heat-blasted onto the internal shell of the pool, forming a completely sealed, flexible, waterproof membrane that's both luxurious to the touch, and highly durable.

ecoFinish doesn't just look good — it feels good too. It's intentionally engineered to be soft and easy on feet, unlike other pool interior finishes that can degrade and become abrasive over time. With fantastic, slip-resistant capabilities, ecoFinish offers safety without feeling rough on skin.

We recommend using a coping tile for the top edge of all models to integrate your pool with your surrounds. These can be purchased from any tile retailer and installed by a trade professional. More detail on this is provided within our Tiling Guide.

ECOFINISH COLOR SAMPLES



RAW CONCRETE INTERNAL

We offer an alternative raw concrete internal finish, this is a great option if you are looking to tile your entire pool. Refer to our Tiling Guide within Step 7 of this guide for further details including measurements and guidance on tile application.

EXTERNAL FINISH

The external surfaces of our pools are delivered with a NPCA Pre-cast Concrete Product Standard finish. [+Plungie Finishing Standards Guide](#)

Inclusions

- Highly engineered concrete pool shell
- High performance ecoFinish interior or raw concrete for tiling the interior
- Multi-colored LED light
- Poolrite innoSkim skimmer box
- Technical designs and pre-engineered specifications for ease of building approvals
- Pre-plumbed and fitted filtration line provisions
- Hydrostatic Valve

Add-ons & modifications

Our range of add ons and extras are designed to take your Plungie to the next level.

Please note, the below add-ons including spa jet packages must be specified at time of order and cannot be retrofitted to the pool.

- Accessory Holder
- Auto Fill
- Top Edge ecoFinish
- Waterline Tile Provision
- Fire Provision
- Construction Cover
- Heater
- Chiller
- Heat + Chill Pump
- Ferrules

SPA JET PACKAGES

SPA JET PACKAGE (MANUAL, IN LINE)

- Shell provision modifications
- Spa Jet Fit-Out (4 Venturi Jets)
- 3-way Manual Valve

SPA JET PACKAGE (AUTOMATIC, IN-LINE)

- Shell provision modifications
- Spa Jet Fit-Out (4 Venturi Jets)
- Hayward Spa Blower 1.5hp
- Hayward TriStar VS 900 pump, GVA 24 Actuator
- 3-way Valve

Equipment

We have a range of equipment packages designed to suit your individual requirements. Each package includes a pump, filter, and chlorine tab feeder or salt chlorinator.

BASE EQUIPMENT PACKAGE

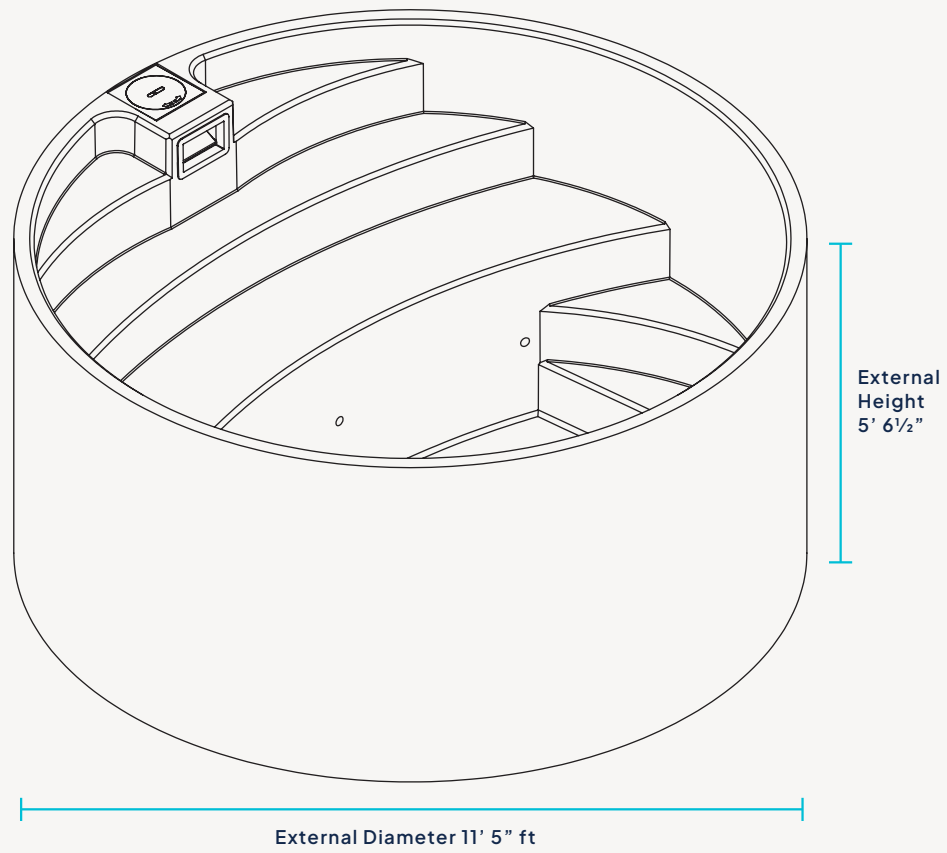
Our Base Equipment Package is all you need to get your Plungie up and running.

ECO EQUIPMENT PACKAGE

The ECO Equipment Package takes the Base package and upgrades your pump to a variable speed pump.

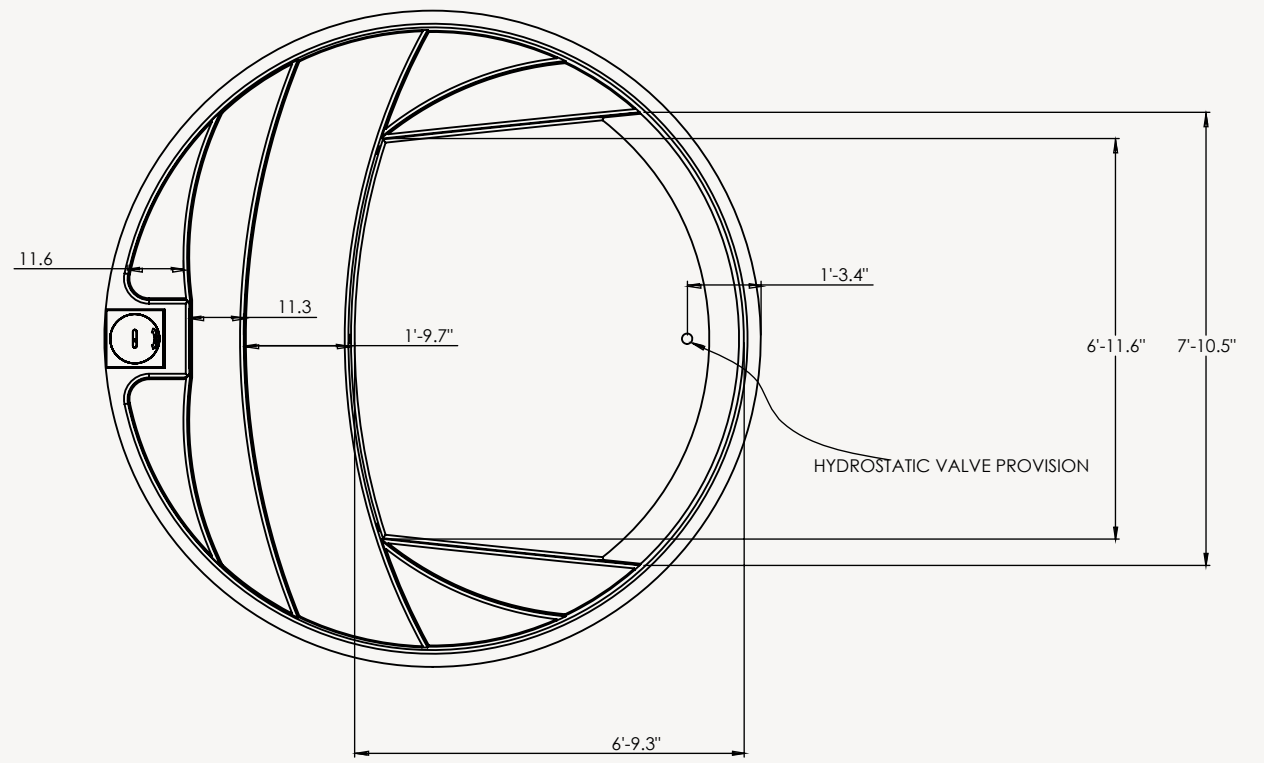
SMART ECO EQUIPMENT PACKAGE

Our top-of-the-line Smart ECO Equipment Package combines the variable speed pump with a salt chlorinator + Smart System, to automatically manage water quality via WiFi connectivity.

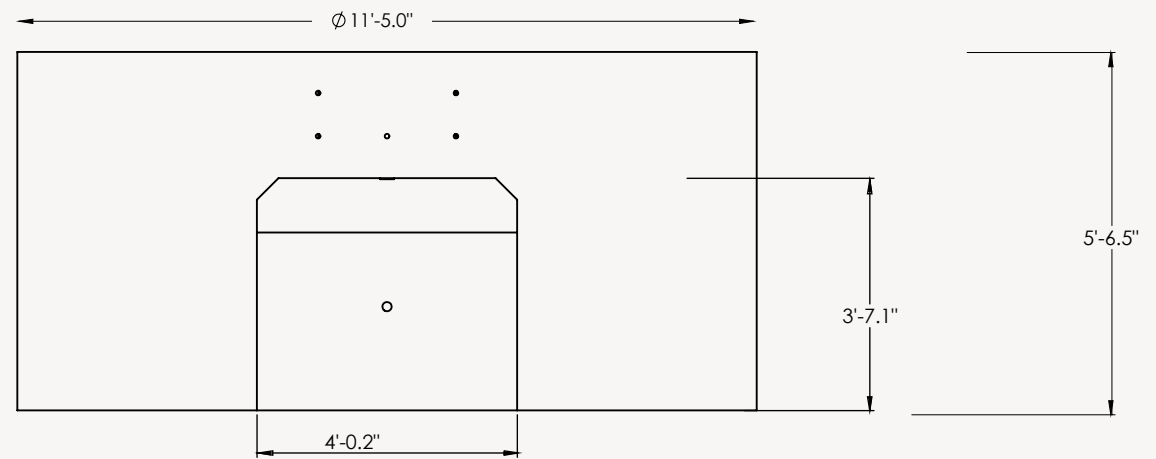


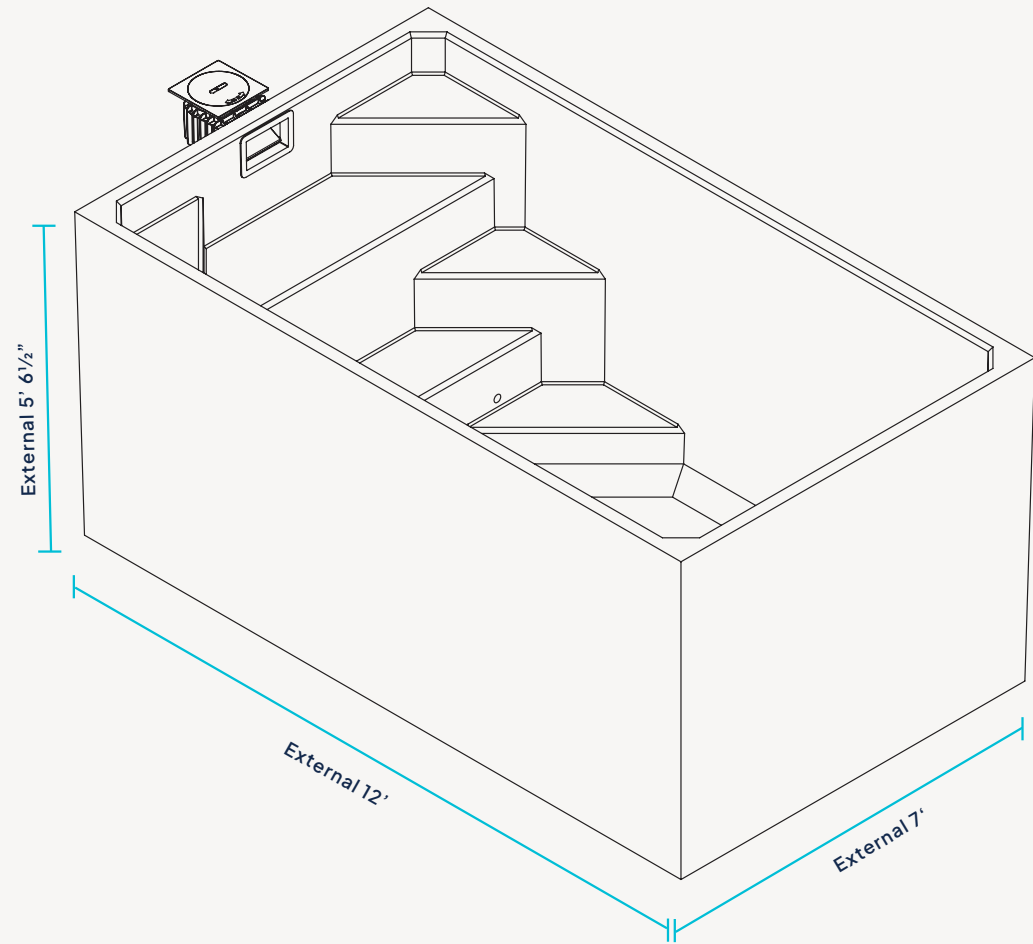
Diameter	External 11' 5"	Internal 10' 10"
Height	External 5' 6½"	Internal 5' 3"
Volume	2,375 gal	
Dry Weight	16,100 lbs	
Bench Space	34 sqft	

AERIAL DIMENSIONS



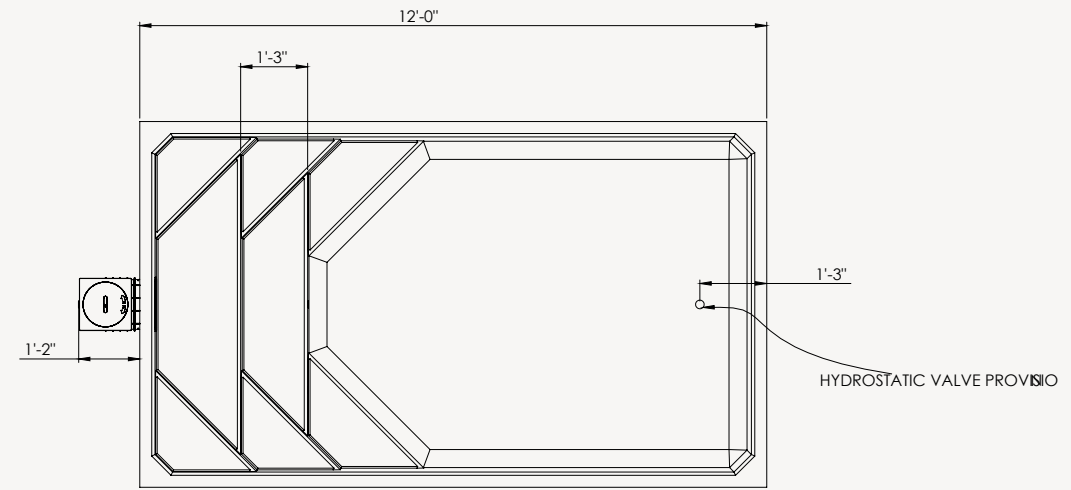
SKIMMER / STEP END ELEVATION



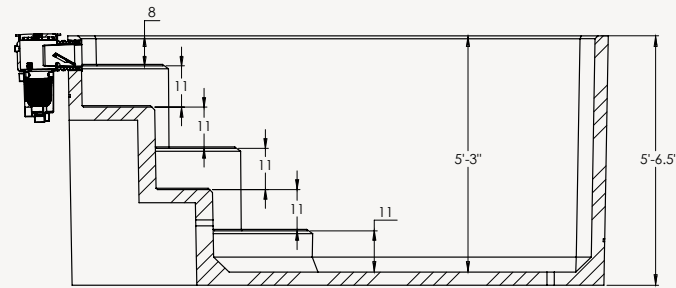


Length	External 12'	Internal 11' 5"
Width	External 7'	Internal 6' 5"
Height	External 5' 6 1/2"	Internal 5' 3"
Volume	2,130 gal	
Dry Weight	14,600 lbs	
Bench Space	18 sqft	

AERIAL DIMENSIONS

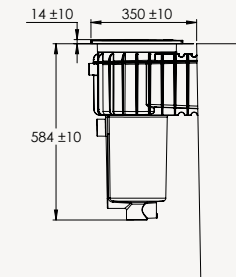


SIDE VIEW

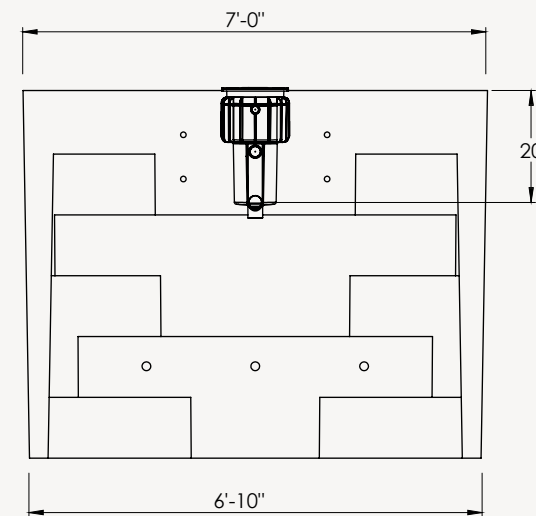


SKIMMER BOX

SIDE ELEVATION

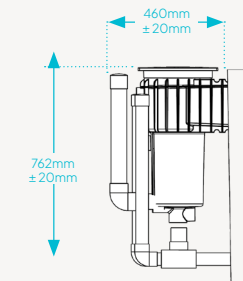


SKIMMER / STEP END VIEW

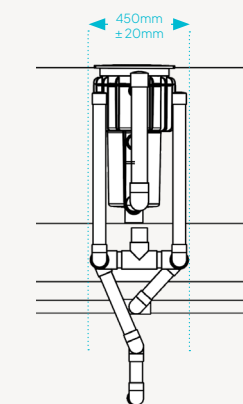


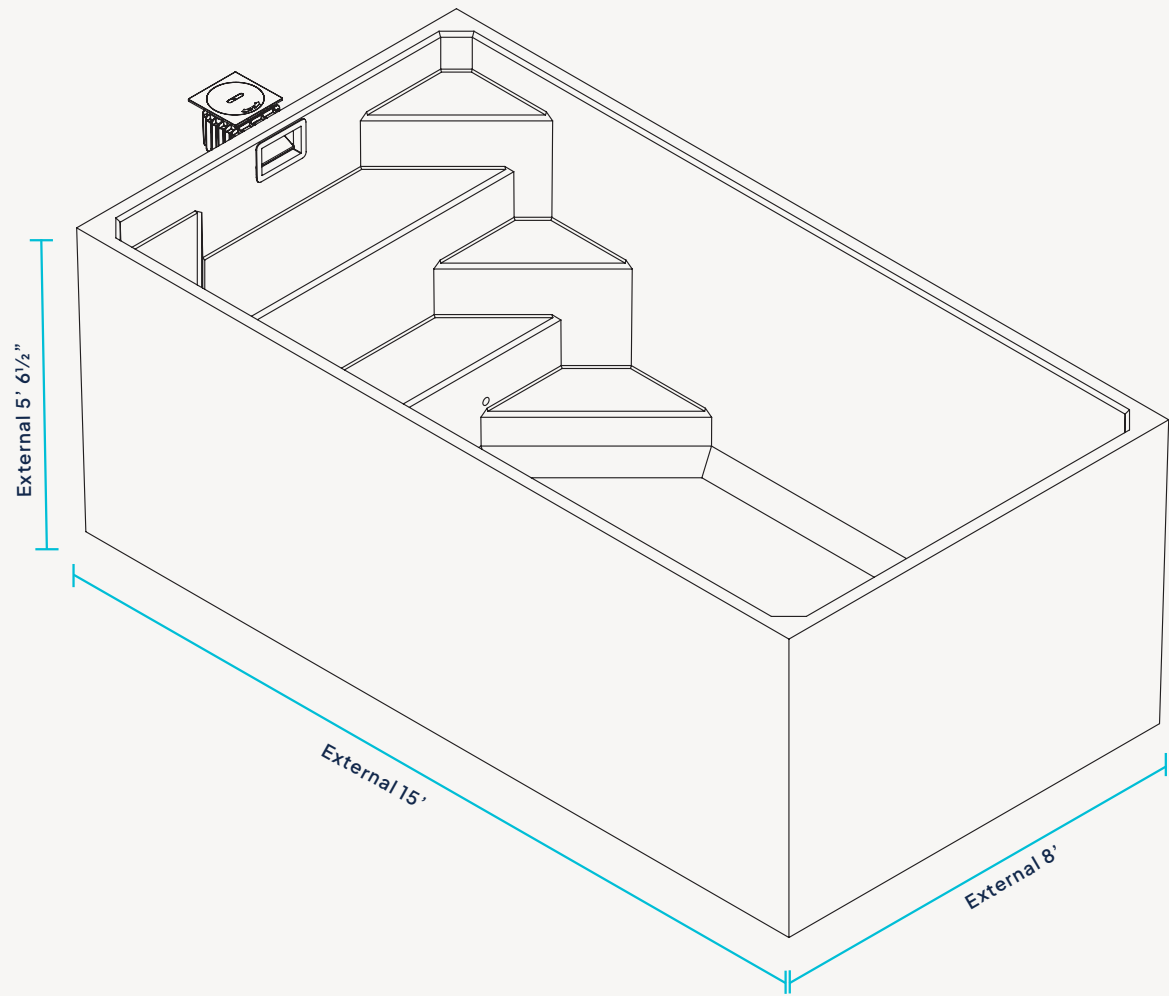
SKIMMER BOX WITH PLUMBING

SIDE ELEVATION



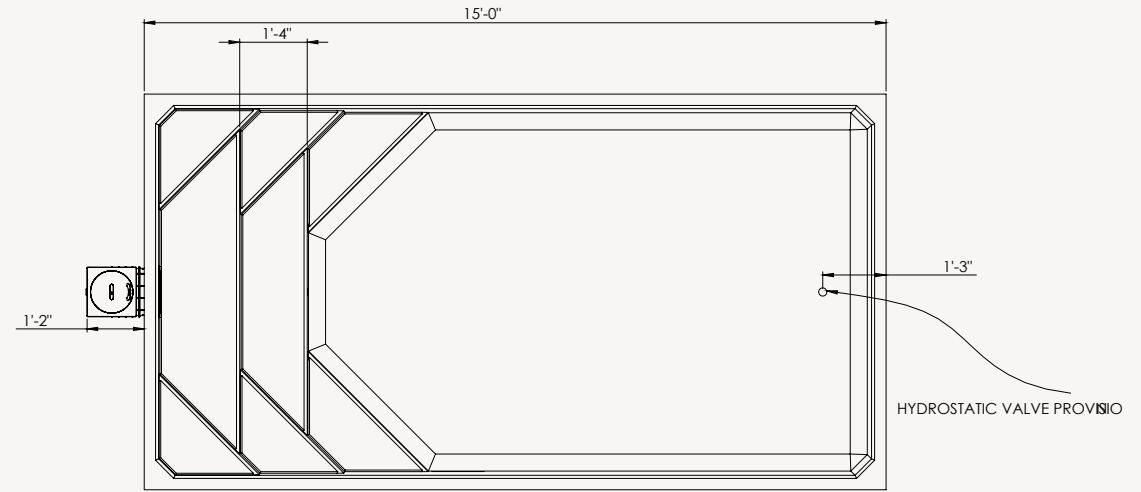
FRONT ELEVATION



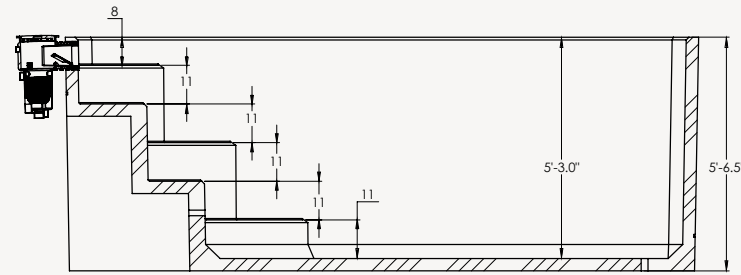


Length	External 15'	Internal 14' 5"
Width	External 8'	Internal 7' 5"
Height	External 5' 6 1/2"	Internal 5' 3"
Volume	3,280 gal	
Dry Weight	17,500 lbs	
Bench Space	22 sqft	

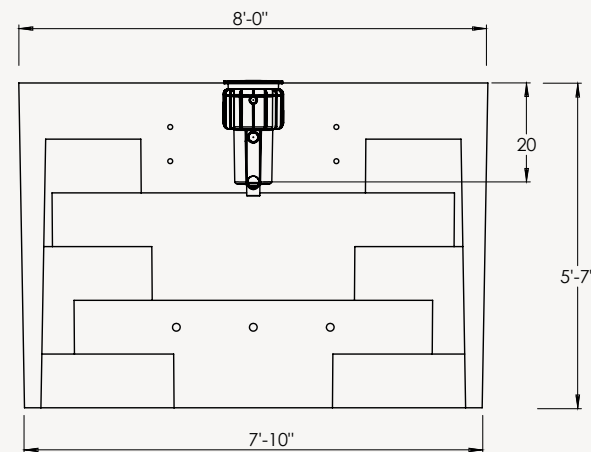
AERIAL DIMENSIONS



SIDE VIEW

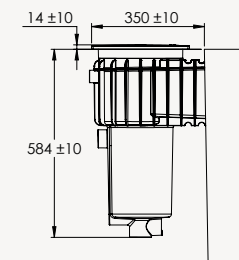


SKIMMER / STEP END VIEW



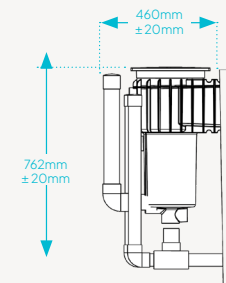
SKIMMER BOX

SIDE ELEVATION

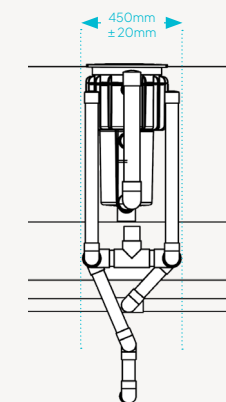


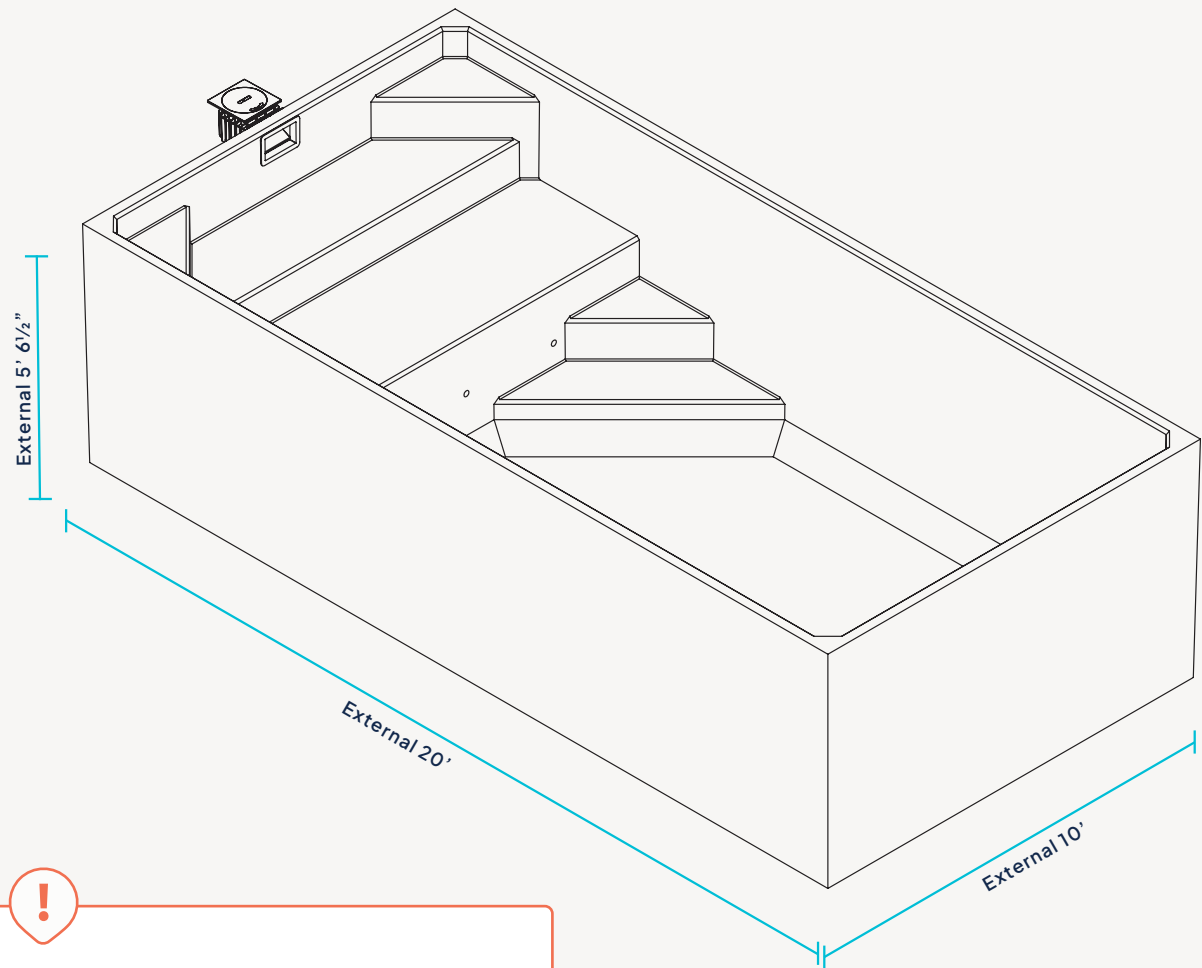
SKIMMER BOX WITH PLUMBING

SIDE ELEVATION



FRONT ELEVATION

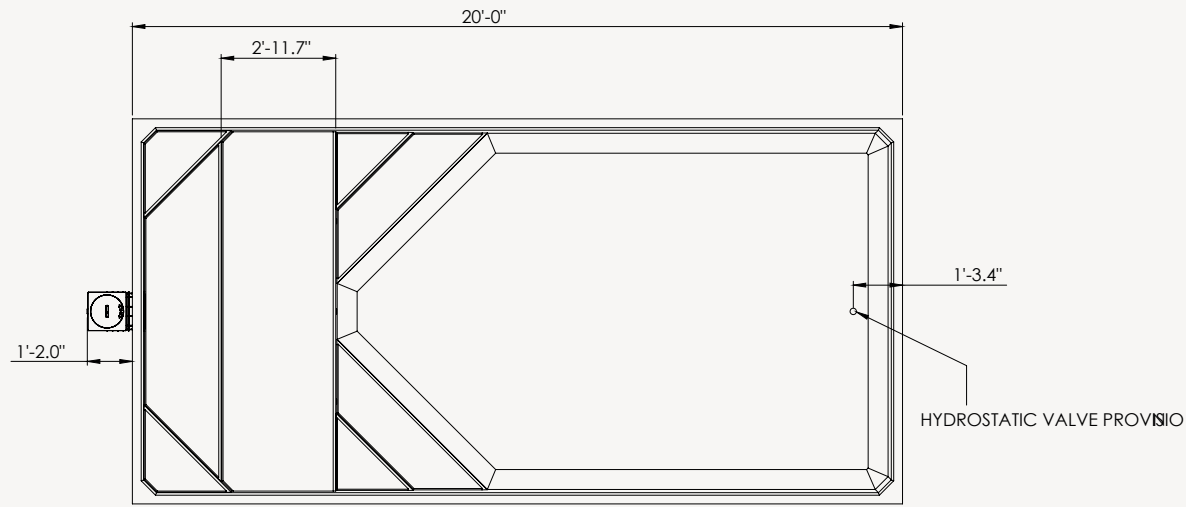




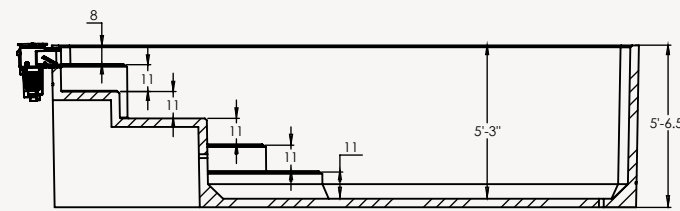
! Please Note:
 Some areas of California are subject to a higher seismic load requirement - this can impact the installation type of the Plungie Max in these areas. Refer to the California engineering notes for more information.

Length	External 20'	Internal 19' 5"
Width	External 10'	Internal 9' 5"
Height	External 5' 6 1/2"	Internal 5' 3"
Volume	5,335 gal	
Dry Weight	25,600 lbs	
Bench Space	46 sqft	

AERIAL DIMENSIONS

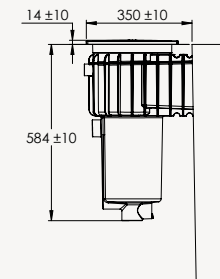


SIDE VIEW

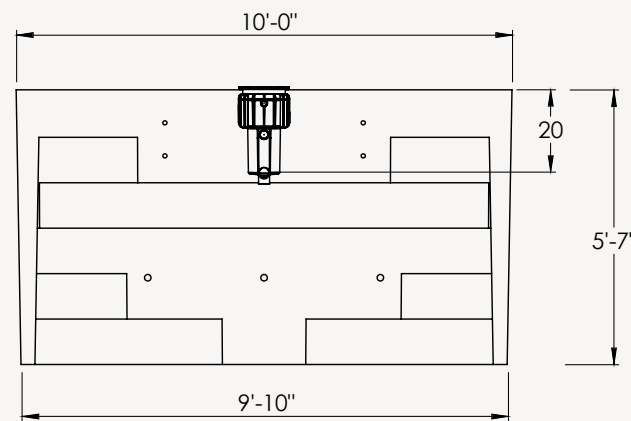


SKIMMER BOX

SIDE ELEVATION

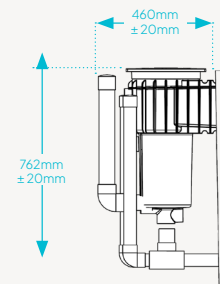


SKIMMER / STEP END VIEW

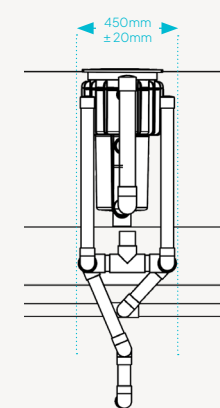


SKIMMER BOX WITH PLUMBING

SIDE ELEVATION



FRONT ELEVATION





plungie.com/en-us
1300 PLUNGIE (758 644)